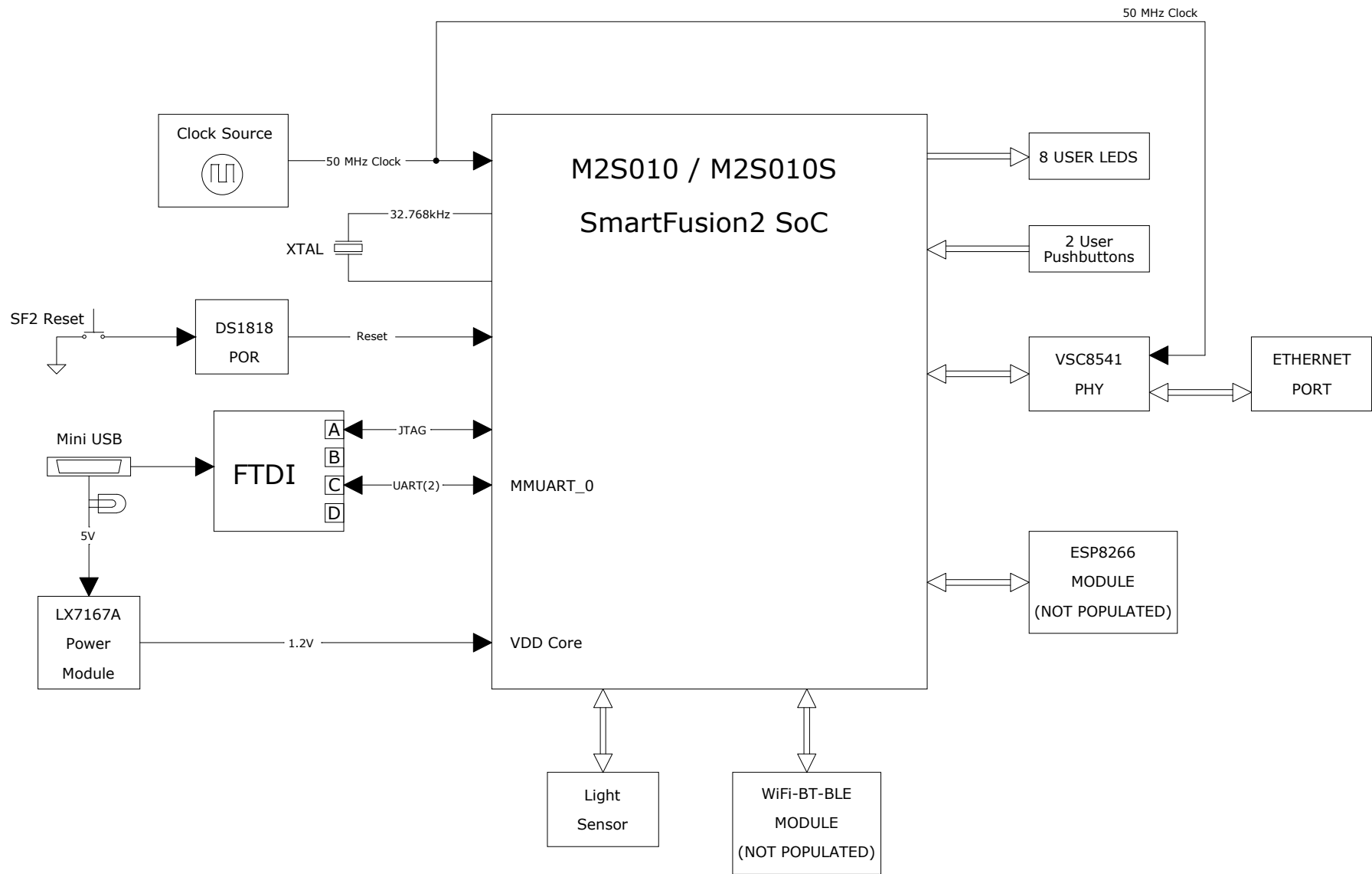


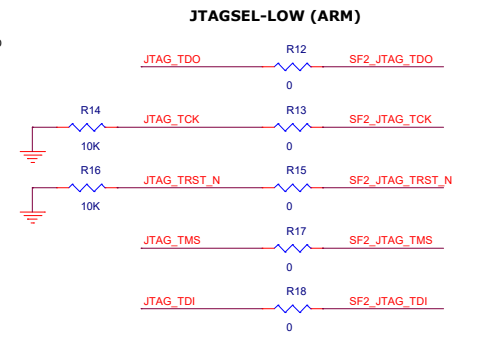
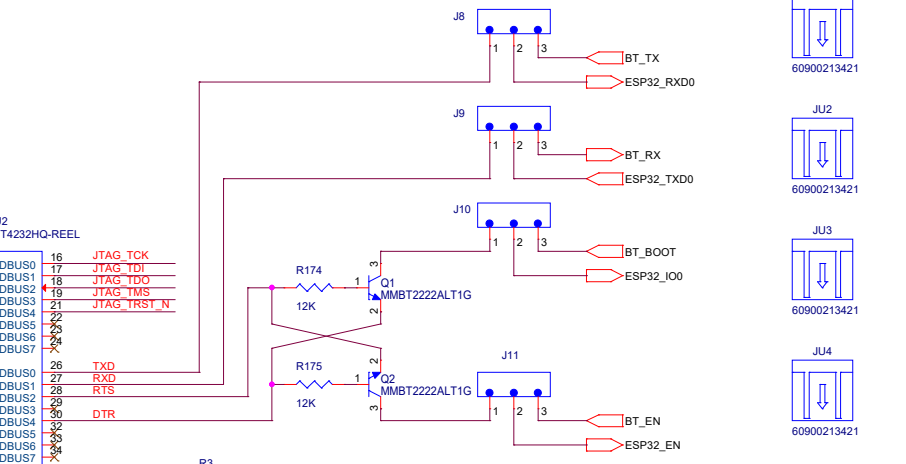
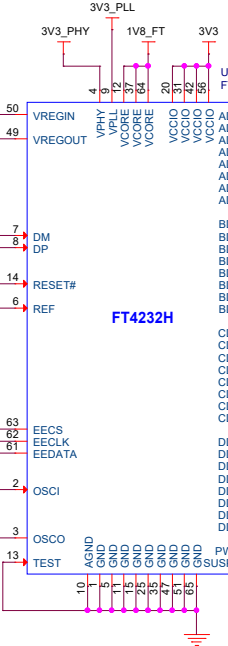
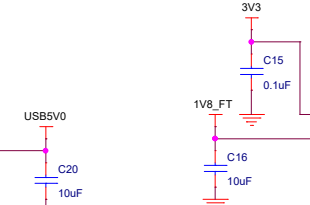
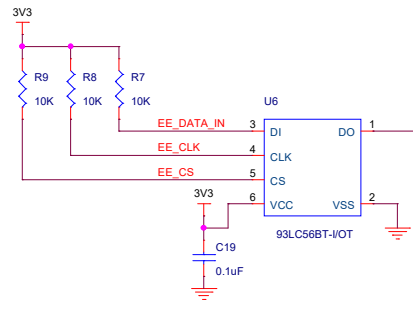
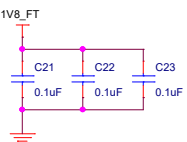
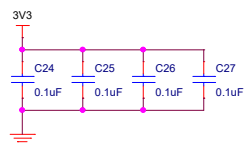
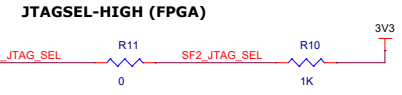
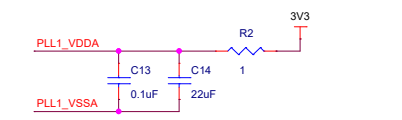
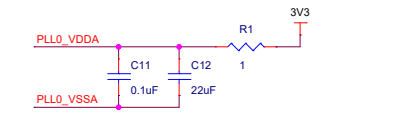
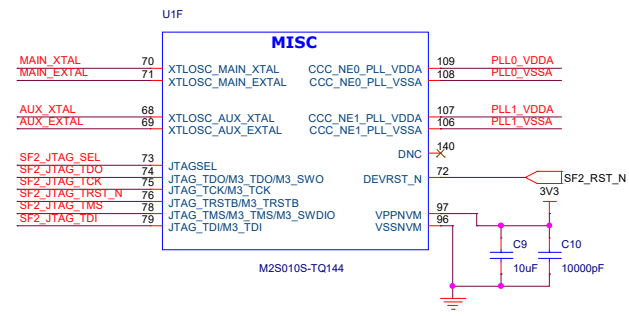
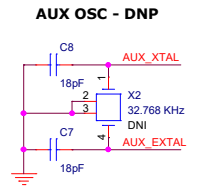
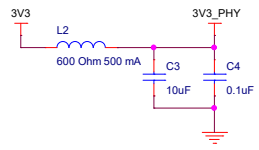
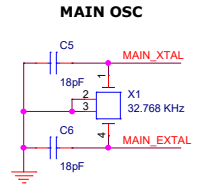
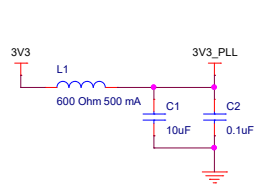
REVISION INDEX

REV	DATE	DESCRIPTION OF CHANGES	PAGES	BY	APPROVED
1.0	15-Apr-17	Initial Release	1-8	Lennon Wang	Eric Kwok

Avotra LLC		
Title Digikey Maker Kit		
Size B	Document Number M2S010-MKR-KIT	Rev 1.0
Date: Tuesday, June 06, 2017	Sheet 1 of 8	

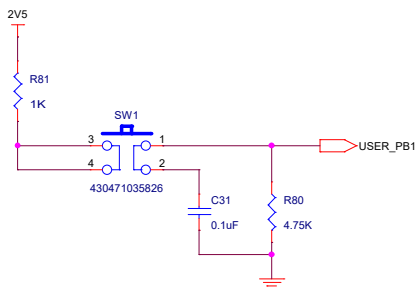


<b>Axelsys</b>		
Title		
Digikey Maker Kit		
Size	Document Number	Rev
B	M2S010-MKR-KIT	1.0
Date:	Tuesday, June 06, 2017	Sheet 2 of 8

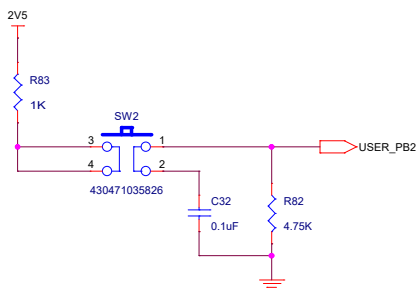


<b>Axelsys</b>		
Title: <b>Digikey Maker Kit</b>		
Size: <b>B</b>	Document Number: <b>M2S010-MKR-KIT</b>	Rev: <b>1.0</b>
Date: <b>Tuesday, June 06, 2017</b>	Sheet: <b>3</b>	of <b>8</b>

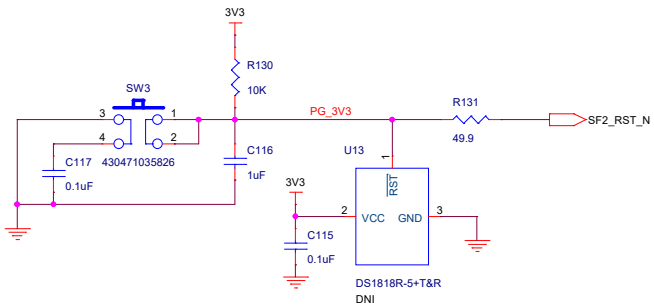
### PUSH BUTTON 1



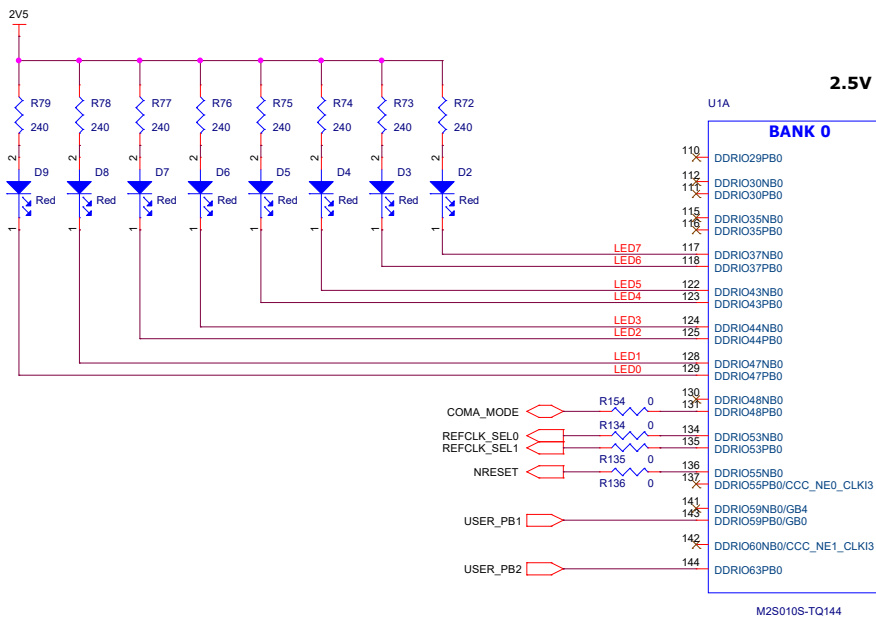
### PUSH BUTTON 2



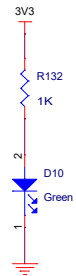
### SF2 RESET PUSHBUTTON



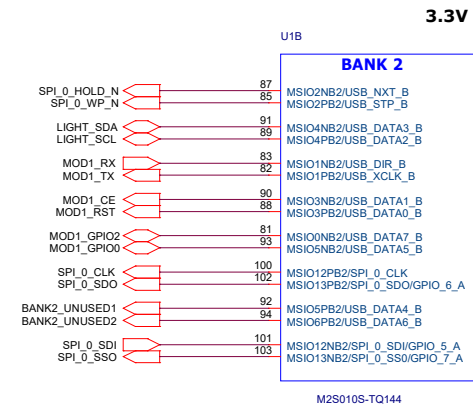
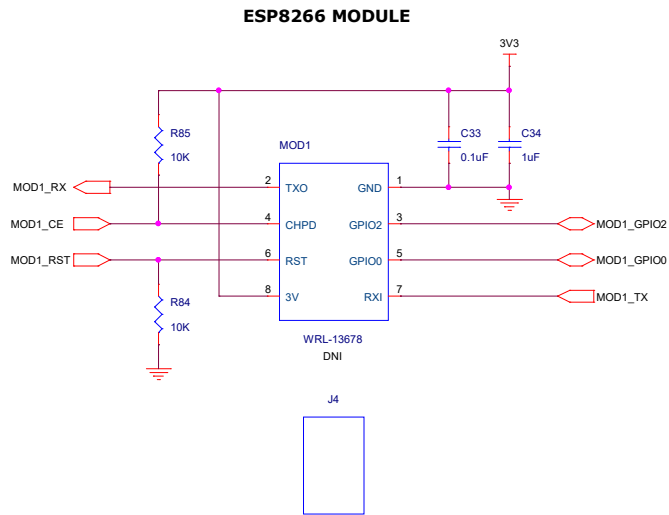
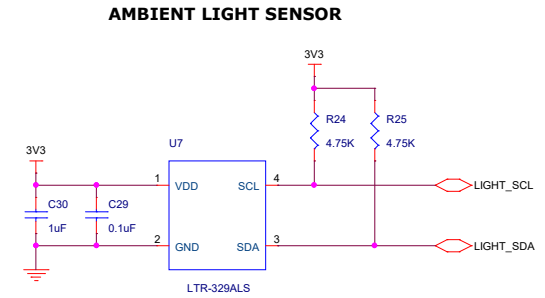
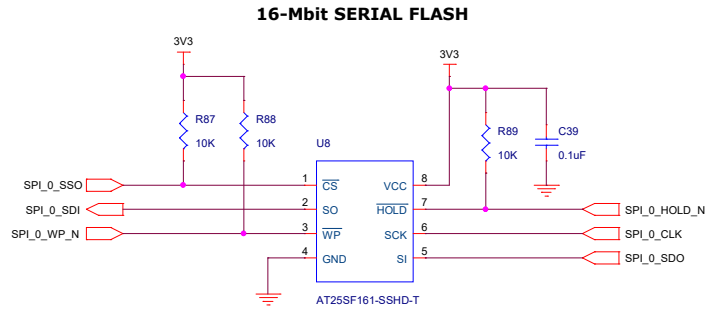
### LEDS (8)



### POWER LED



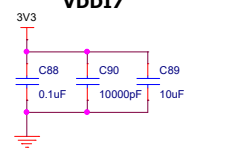
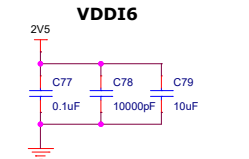
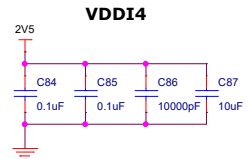
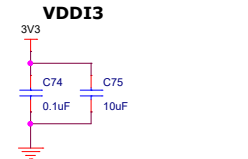
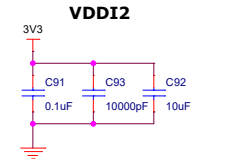
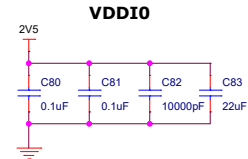
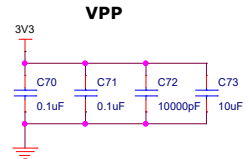
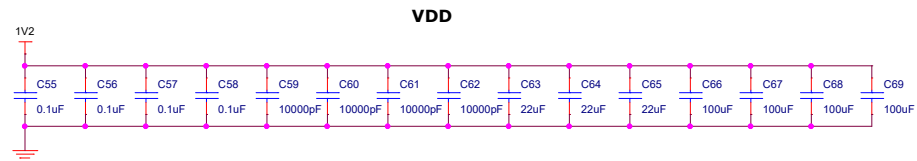
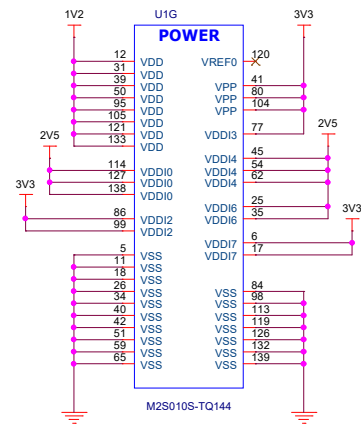
Axelsys		
Title Digikey Maker Kit		
Size	Document Number	Rev
B	M2S010-MKR-KIT	1.0
Date:	Tuesday, June 06, 2017	Sheet 4 of 8



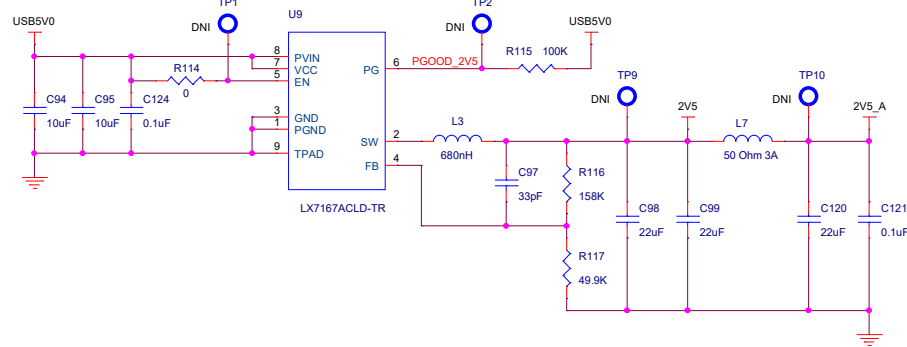
Axelsys		
Title		
Digikey Maker Kit		
Size	Document Number	Rev
B	M2S010-MKR-KIT	1.0
Date:	Tuesday, June 06, 2017	Sheet 5 of 8



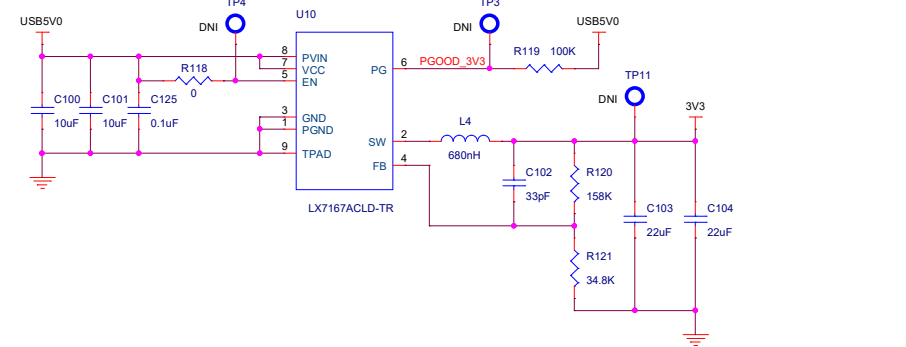




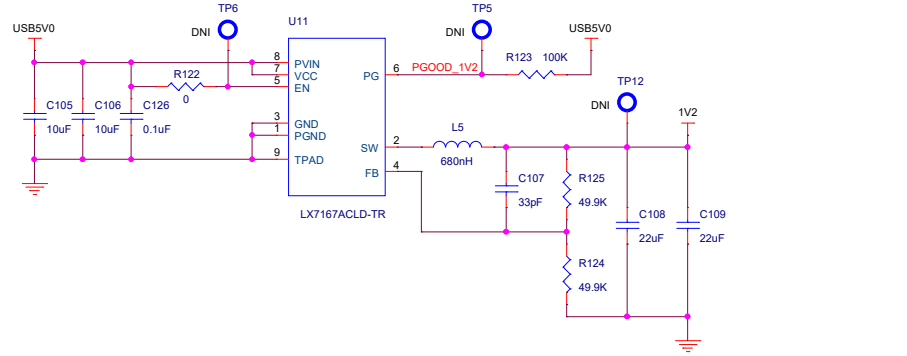
**2.5V REGULATOR**



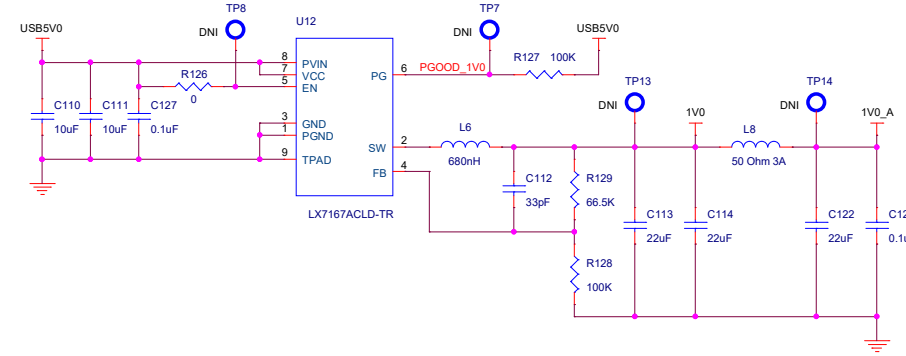
**3.3V REGULATOR**



**1.2V REGULATOR**



**1.0V REGULATOR**



Axelsys		
Title		
Digikey Maker Kit		
Size	Document Number	Rev
B	M2S010-MKR-KIT	1.0
Date:	Tuesday, June 06, 2017	Sheet 8 of 8