



1
2
3
4
5
6
7
8
9
10
11
12
13
14
15
16
17
18
19
20
21
22
23
24
25
26
27
28
29
30
31
32
33
34
35
36
37
38
39
40
41
42
43
44
45
46
47
48
49
50
51
52
53
54
55
56
57
58
59
60
61
62
63
64
65
66
67
68
69
70
71
72
73
74
75
76
77
78
79
80
81
82
83
84
85
86
87
88
89
90
91
92
93
94
95
96
97
98
99
100

SC417 Design Package



Table of Contents:

- **SC417 Data Sheet**
- **Schematic**
- **BOM**
- **Recommended Manufacturers Part #'s**
(for critical components)
- **Critical Component Data Sheets Links**
- **Samples – Order from Digikey**
- **Evaluation Board – SC417EVB**

SC417 Recommended BOM

(for critical components)



QTY	Reference	Description/Specification	Manufacturer	M/F Part Number
4	Input Capacitor	Ceramic Cap 10uF,6.3V,X5R,1210	Murata	GRM31CR61C106KA88
1	Cout Bulk	330uF, 4v, 12mOhm	Panasonic	EEFUE0G331R
4	Cout Ceramic	Ceramic Cap 10uF,6.3V,X5R,0805	Murata	GRM21BR60J106KE19
1	Output Inductor	Surface Mount 1.5uH	TOKO	FDA1055-1R5M
1	U1	10A Sync. Buck converter	Semtech	SC417MLTRT

Toko Inductor DATA SHEET:

Link:<http://www.toko.co.jp/products/pdf/inductors/fda1055.pdf>

Murata Ceramic Capacitor DATA SHEETS :

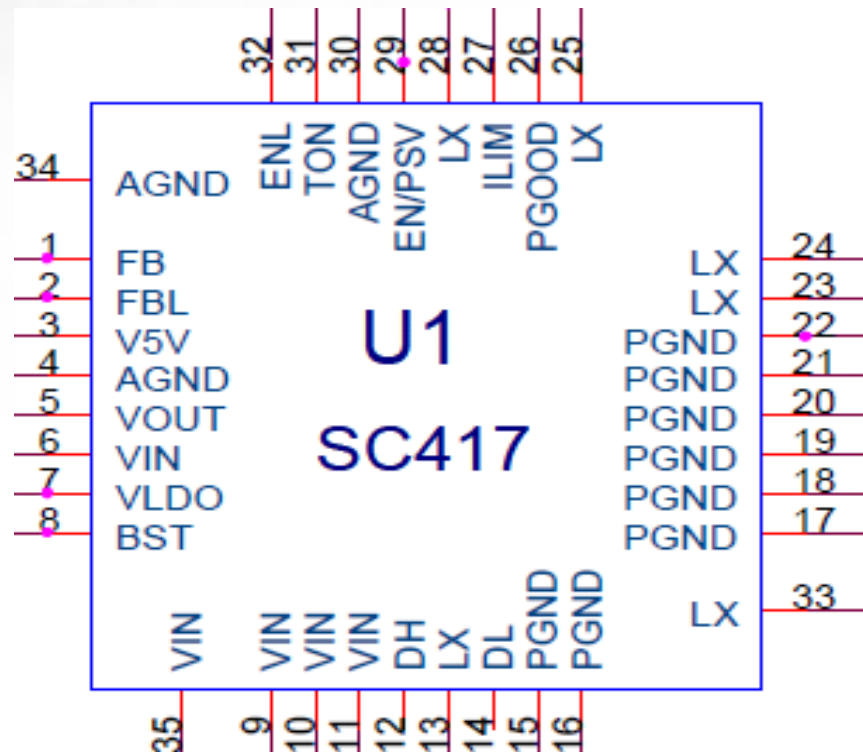
Link:<http://search.murata.co.jp/Ceramy/image/img/PDF/ENG/GRM31CR61C106KA88.pdf>

Link:<http://search.murata.co.jp/Ceramy/image/img/PDF/ENG/GRM21BR60J106KE19.pdf>

Panasonic Bulk Capacitor DATA SHEET :

Link: <http://industrial.panasonic.com/www-data/pdf/ABE0000/ABE0000CE3.pdf>

SC417 Schematic Library



See enclosed CD for schematic symbol