

1  
2  
3  
4  
5  
6  
7  
8  
9  
10  
11  
12  
13  
14  
15  
16  
17  
18  
19  
20  
21  
22  
23  
24  
25  
26  
27  
28  
29  
30  
31  
32  
33  
34  
35  
36  
37  
38  
39  
40  
41  
42  
43  
44  
45  
46  
47  
48  
49  
50  
51  
52  
53  
54  
55  
56  
57  
58  
59  
60  
61  
62  
63  
64  
65  
66  
67  
68  
69  
70  
71  
72  
73  
74  
75  
76  
77  
78  
79  
80  
81  
82  
83  
84  
85  
86  
87  
88  
89  
90  
91  
92  
93  
94  
95  
96  
97  
98  
99  
100

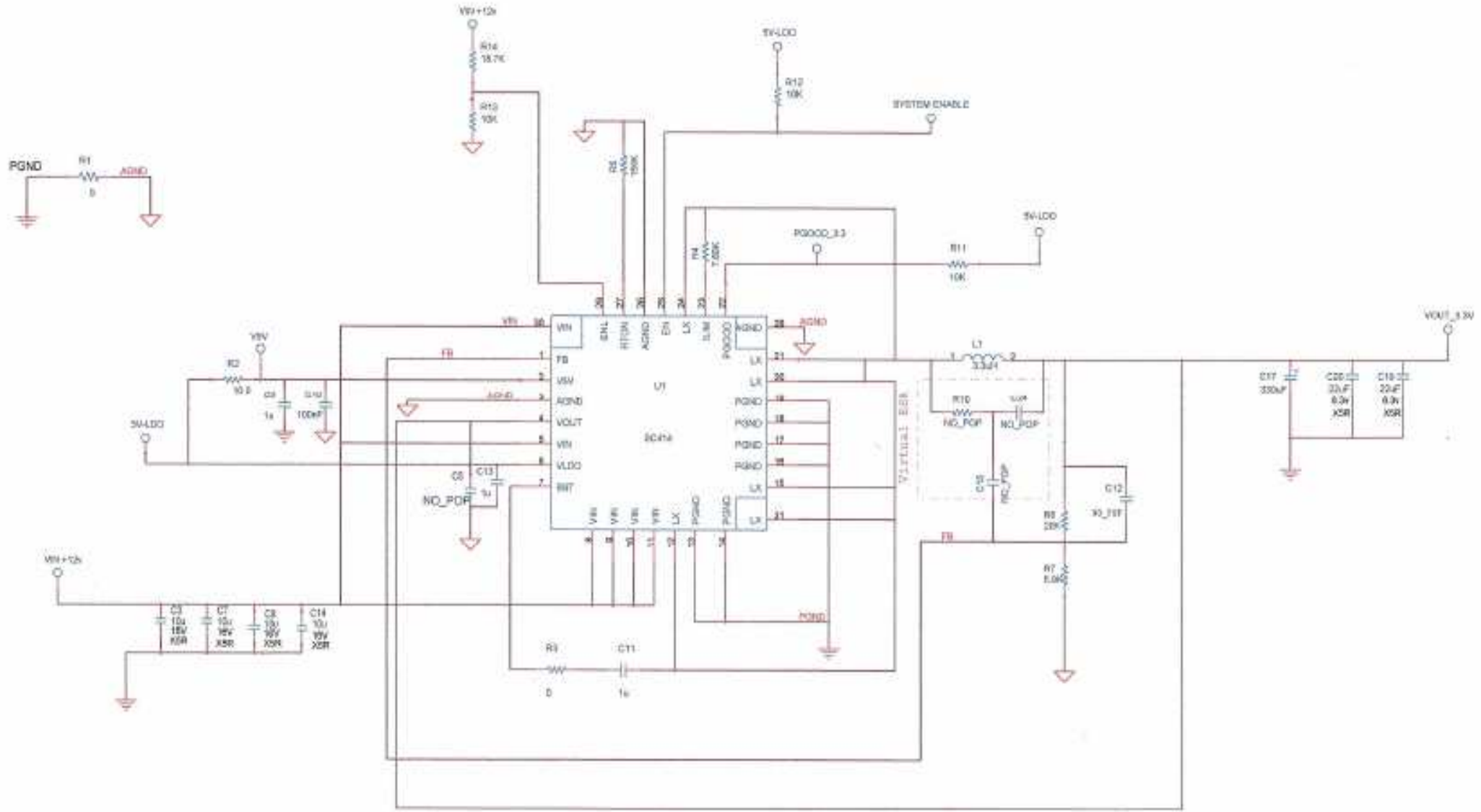
# SC414 Design Package



## *Table of Contents:*

- **SC414 Data Sheet**
- **Schematic**
- **BOM**
- **Recommended Manufacturers Part #'s**  
(for critical components)
- **Critical Component Data Sheets Links**
- **Samples – Order from Digikey**
- **Evaluation Board SC414EVB**

# SC414 Schematic (3.3Vout example)



# SC414 Recommended BOM

(for critical components)



QTY	Reference	Description/Specification	Manufacturer	M/F Part Number
4	Input Capacitor	Ceramic Cap 10uF,6.3V,X5R,1210	Murata	GRM31CR61C106KA88
1	Cout Bulk	330uF, 4v, 12mOhm	Panasonic	EEFUE0G331R
2	Cout Ceramic	Ceramic Cap 22uF,6.3V,X5R,0805	Murata	GRM21BR60J226ME39K
1	Output Inductor	Surface Mount 3.3uH	TOKO	FDA1055-3R3M
1	U1	6.0A Sync. Buck converter	Semtech	SC414MLTRT

## **Toko Inductor DATA SHEET:**

Link: <http://www.toko.co.jp/products/pdf/inductors/fda1055.pdf>

## **Murata Ceramic Capacitor DATA SHEETS :**

Link: <http://search.murata.co.jp/Ceramy/image/img/PDF/ENG/GRM31CR61C106KA88.pdf>

Link: <http://search.murata.co.jp/Ceramy/image/img/PDF/ENG/GRM21BR60J226ME39.pdf>

## **Panasonic Bulk Capacitor DATA SHEET :**

Link: <http://industrial.panasonic.com/www-data/pdf/ABE0000/ABE0000CE3.pdf>

# SC414 Schematic Library

