

1
2
3
4
5
6
7
8
9
10
11
12
13
14
15
16
17
18
19
20
21
22
23
24
25
26
27
28
29
30
31
32
33
34
35
36
37
38
39
40
41
42
43
44
45
46
47
48
49
50
51
52
53
54
55
56
57
58
59
60
61
62
63
64
65
66
67
68
69
70
71
72
73
74
75
76
77
78
79
80
81
82
83
84
85
86
87
88
89
90
91
92
93
94
95
96
97
98
99
100

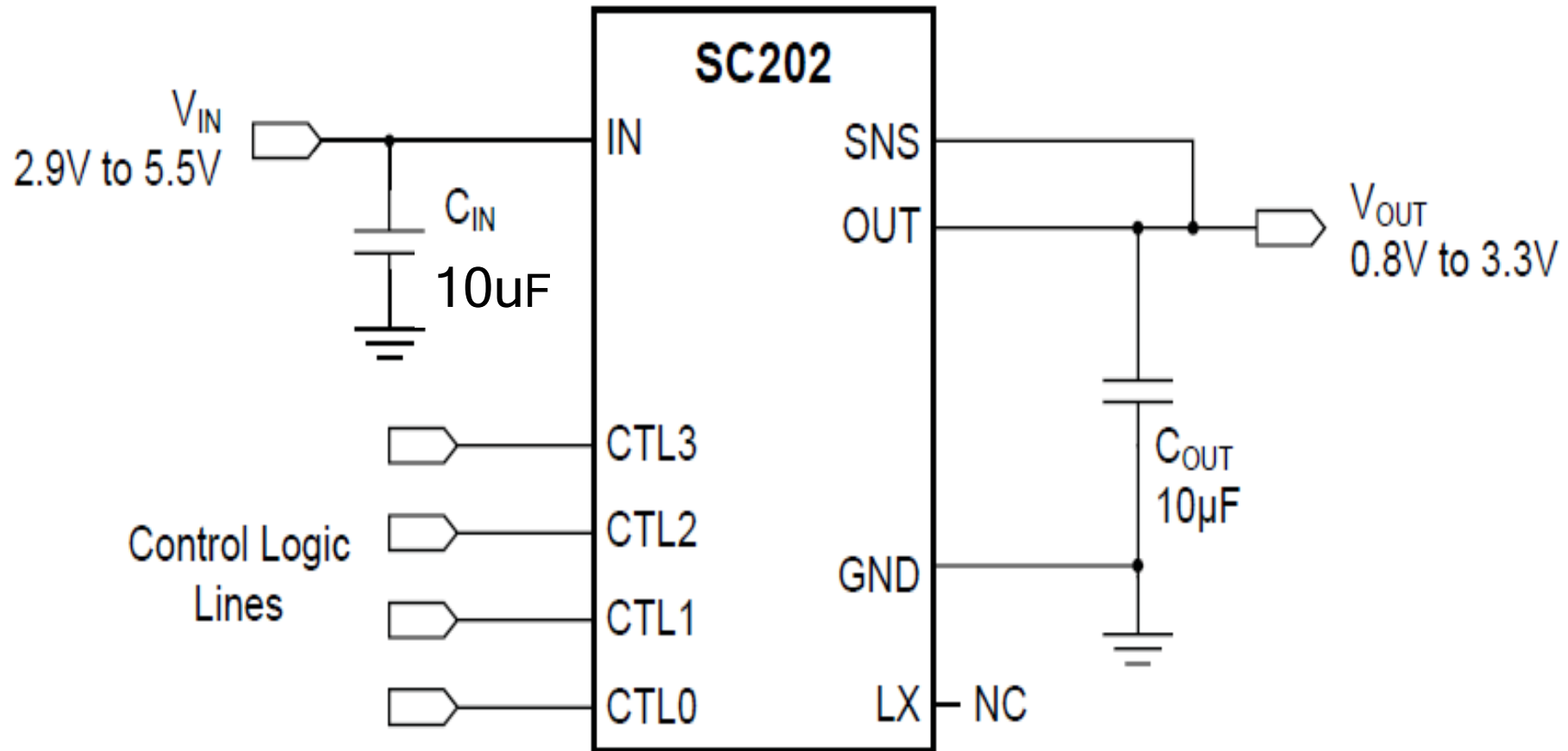
SC202 Design Package



Table of Contents:

- **SC202 Data Sheet**
- **Schematic**
- **BOM**
- **Recommended Manufacturers Part #'s**
(for critical components)
- **Critical Component Data Sheets**
- **SC202 Schematic Library** (OrCAD Format)
- **CD – Information Soft Copy**
- **10 Samples**
- **1 Evaluation Board**
- **Evaluation Board User's Guide**

SC202 Schematic



SC202 Recommended BOM

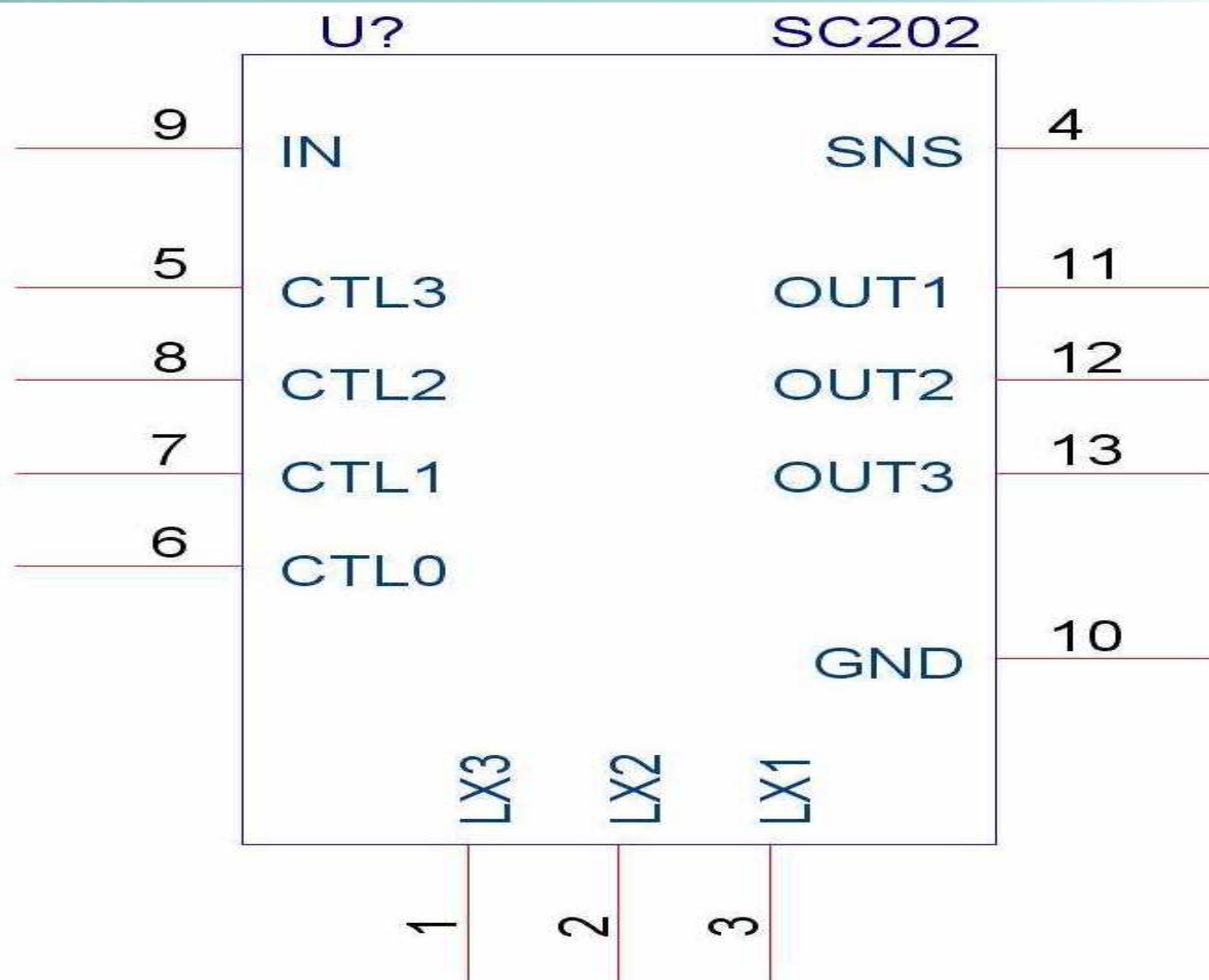


Item	Reference	Description/Specification	Manufacturer	M/F Part Number
1	CIN	Ceramic Cap 10uF,6.3V,X5R,0805	Murata	GRM21BR60J106K
2	COUT	Ceramic Cap 10uF,6.3V,X5R,0805	Murata	GRM21BR60J106K
3	U1	500mA Sync. Buck converter	Semtech	SC202MLTRT

Murata Ceramic Capacitor DATA SHEET :

Link:<http://search.murata.co.jp/Ceramy/image/img/PDF/ENG/GRM21BR60J106KE19.pdf>

SC202 Schematic Library



See enclosed CD for schematic symbol