

1
2
3
4
5
6
7
8
9
10
11
12
13
14
15
16
17
18
19
20
21
22
23
24
25
26
27
28
29
30
31
32
33
34
35
36
37
38
39
40
41
42
43
44
45
46
47
48
49
50
51
52
53
54
55
56
57
58
59
60
61
62
63
64
65
66
67
68
69
70
71
72
73
74
75
76
77
78
79
80
81
82
83
84
85
86
87
88
89
90
91
92
93
94
95
96
97
98
99
100

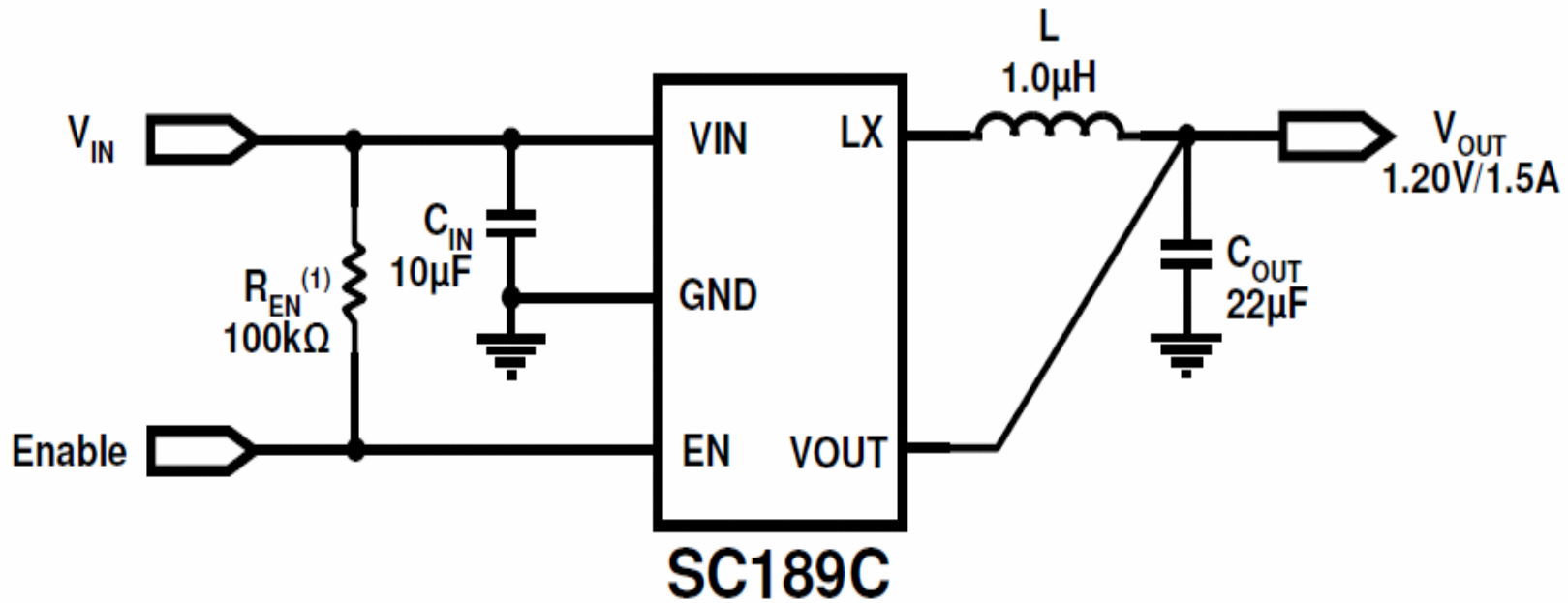
SC189C 1.2V Design Package



Table of Contents:

- **SC189C Data Sheet**
- **Schematic**
- **BOM**
- **Recommended Manufacturers Part #'s**
(for critical components)
- **Critical Component Data Sheets - Links**
- **Samples – Order from Digikey**
- **Evaluation Board SC189CEVB**

SC189C Schematic



Note: (1) R_{EN} is optional.

SC189C Recommended BOM



Item	Reference	Description/Specification	Manufacturer	M/F Part Number
1	CIN	Ceramic Cap 10uF,6.3V,X5R,0805	Murata	GRM21BR60J106KE19
2	COUT	Ceramic Cap 22uF,6.3V,X5R,0805	Murata	GRM21BR60J226M39L
3	REN	100K Ω , 5% SMD resistor		Optional
4	L	Inductor 1.0uH	TOKO	1071AS-1R0N
5	U1	1.5A Sync. Buck converter, Vout=1.8V	Semtech	SC189CULTRT

Toko Inductor DATA SHEET:

Link: http://www.toko.co.jp/products/pdf/inductors/de2810c_de2812c_de2815c_de2818c.pdf

Murata Ceramic Capacitor DATA SHEET :

Link: <http://www.murata.com/products/catalog/pdf/c02e.pdf>