

1  
2  
3  
4  
5  
6  
7  
8  
9  
10  
11  
12  
13  
14  
15  
16  
17  
18  
19  
20  
21  
22  
23  
24  
25  
26  
27  
28  
29  
30  
31  
32  
33  
34  
35  
36  
37  
38  
39  
40  
41  
42  
43  
44  
45  
46  
47  
48  
49  
50  
51  
52  
53  
54  
55  
56  
57  
58  
59  
60  
61  
62  
63  
64  
65  
66  
67  
68  
69  
70  
71  
72  
73  
74  
75  
76  
77  
78  
79  
80  
81  
82  
83  
84  
85  
86  
87  
88  
89  
90  
91  
92  
93  
94  
95  
96  
97  
98  
99  
100

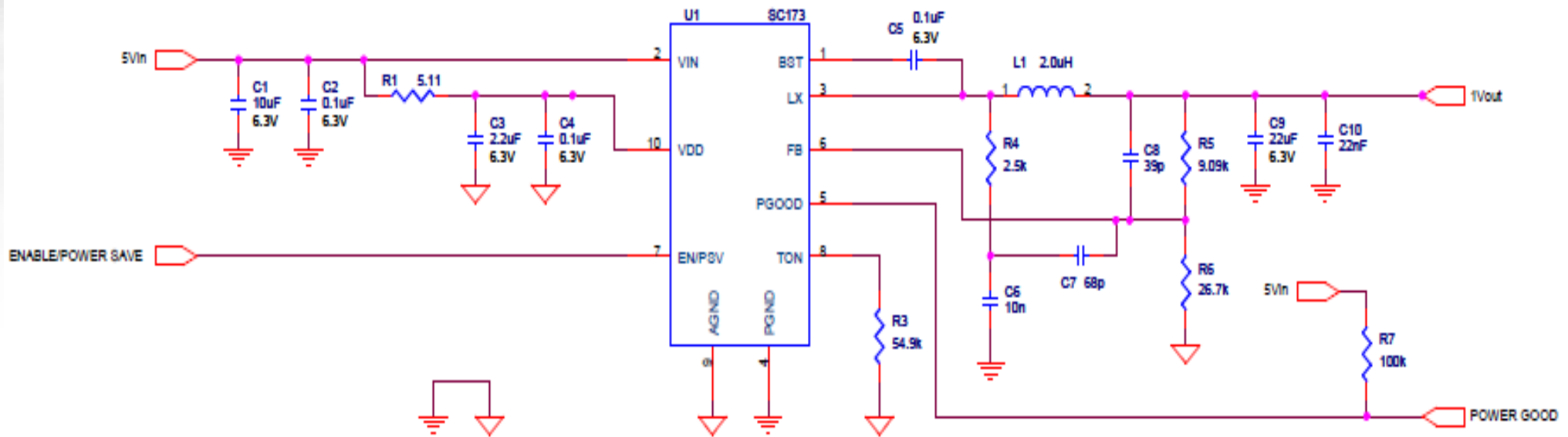
SC173  
Design Package



## *Table of Contents:*

- **SC173 Data Sheet**
- **Schematic**
- **BOM**
- **Recommended Manufacturers Part #'s**  
(for critical components)
- **Critical Component Data Sheets Links**
- **SC173 Schematic Library** (OrCAD Format)
- **CD – Information Soft Copy**
- **10 Samples**
- **1 Evaluation Board**
- **Evaluation Board Test Data**

# SC173 Schematic (1.0 Vout example)



# SC173 Recommended BOM

(for critical components)



| QTY | Reference       | Description/Specification      | Manufacturer | M/F Part Number    |
|-----|-----------------|--------------------------------|--------------|--------------------|
| 1   | Input Capacitor | Ceramic Cap 10uF,6.3V,X5R,1210 | Murata       | GRM31CR61C106KA88  |
| 1   | Cout Ceramic    | Ceramic Cap 22uF,6.3V,X5R,0805 | Murata       | GRM21BR60J226ME39K |
| 1   | Output Inductor | Surface Mount 2.0uH            | TOKO         | DS86C-B992AS-2R0N  |
| 1   | U1              | 3.0A Sync. Buck converter      | Semtech      | SC173MLTRT         |

## ***Toko Inductor DATA SHEET:***

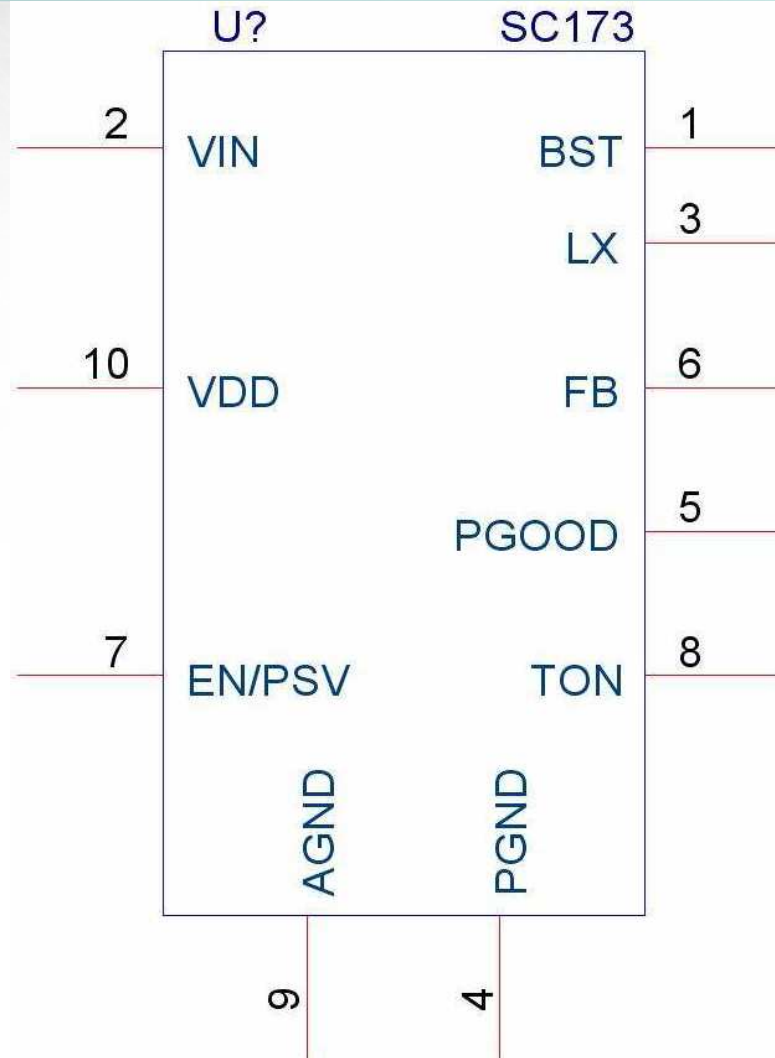
[Link:http://www.toko.co.jp/products/pdf/inductors/ds84lcb\\_ds85lcb\\_ds86c.pdf](http://www.toko.co.jp/products/pdf/inductors/ds84lcb_ds85lcb_ds86c.pdf)

## ***Murata Ceramic Capacitor DATA SHEETS :***

[Link:http://search.murata.co.jp/Ceramy/image/img/PDF/ENG/GRM31CR61C106KA88.pdf](http://search.murata.co.jp/Ceramy/image/img/PDF/ENG/GRM31CR61C106KA88.pdf)

[Link:http://search.murata.co.jp/Ceramy/image/img/PDF/ENG/GRM21BR60J226ME39.pdf](http://search.murata.co.jp/Ceramy/image/img/PDF/ENG/GRM21BR60J226ME39.pdf)

# SC173 Schematic Library



See enclosed CD for schematic symbol