

1
2
3
4
5
6
7
8
9
10
11
12
13
14
15
16
17
18
19
20
21
22
23
24
25
26
27
28
29
30
31
32
33
34
35
36
37
38
39
40
41
42
43
44
45
46
47
48
49
50
51
52
53
54
55
56
57
58
59
60
61
62
63
64
65
66
67
68
69
70
71
72
73
74
75
76
77
78
79
80
81
82
83
84
85
86
87
88
89
90
91
92
93
94
95
96
97
98
99
100

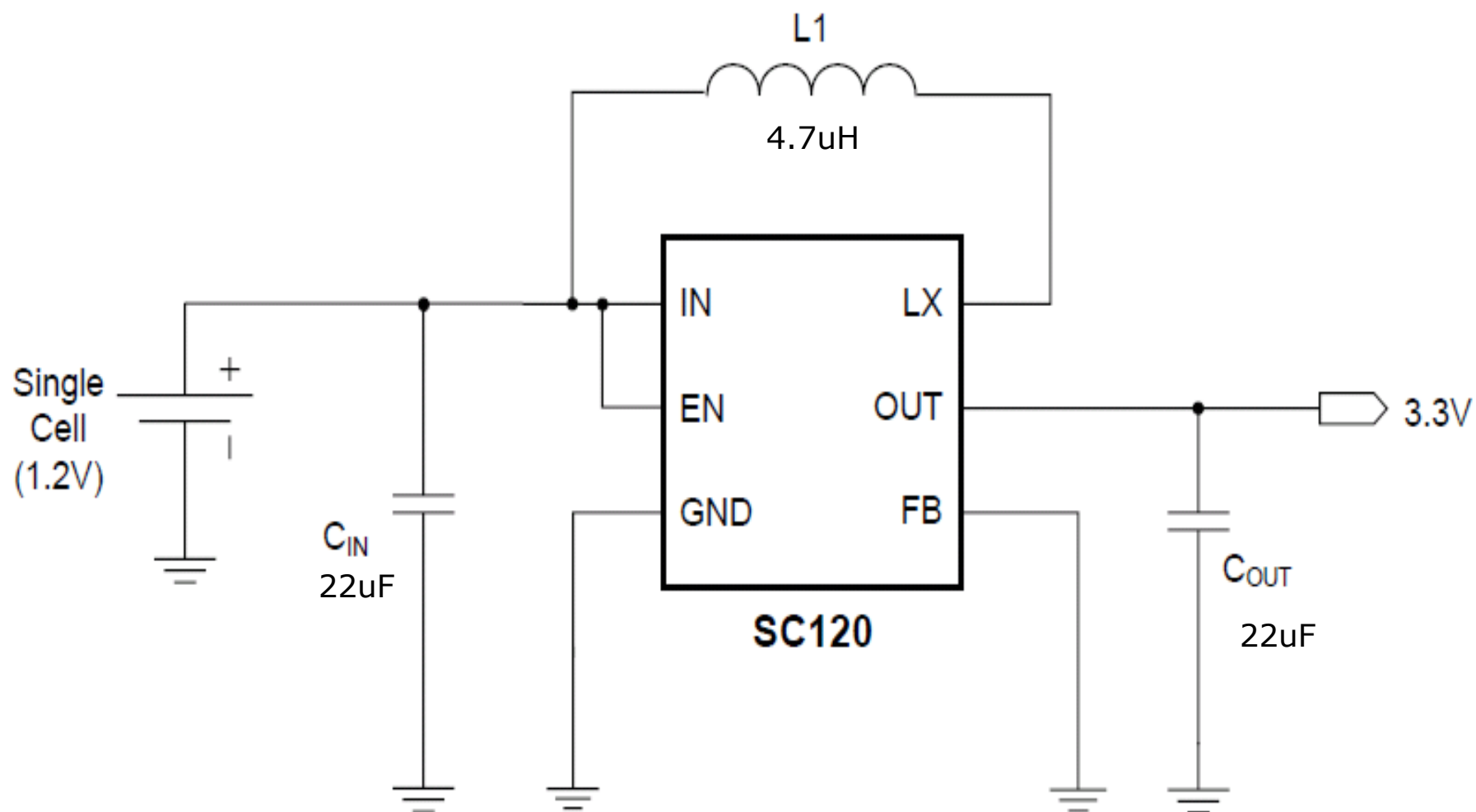
SC120 Design Package



Table of Contents:

- **SC120 Data Sheet**
- **Schematic**
- **BOM**
- **Recommended Manufacturers Part #'s**
(for critical components)
- **Critical Component Data Sheets Links**
- **Samples – Order from Digikey**
- **Evaluation Board – SC120EVB**
- **Evaluation Board User's Guide**

SC120 Schematic (1.2v to 3.3v example)



SC120 Recommended BOM



Item	Reference	Description/Specification	Manufacturer	M/F Part Number
1	CIN	Ceramic Cap 22uF,6.3V,X5R,0805	Murata	GRM21BR60J226ME39B
2	COUT	Ceramic Cap 22uF,6.3V,X5R,0805	Murata	GRM21BR60J226ME39B
3	L	Inductor 4.7uH	TDK	VLF3014ST-4R7M1R1
4	U1	Boost integrated switcher	Semtech	SC120ULTRT

TDK Inductor DATA SHEET:

Link:http://www.tdk.co.jp/tefe02/e531_vlf3014s.pdf

Murata Ceramic Capacitor DATA SHEET :

Link:<http://www.murata.com/products/catalog/pdf/c02e.pdf>