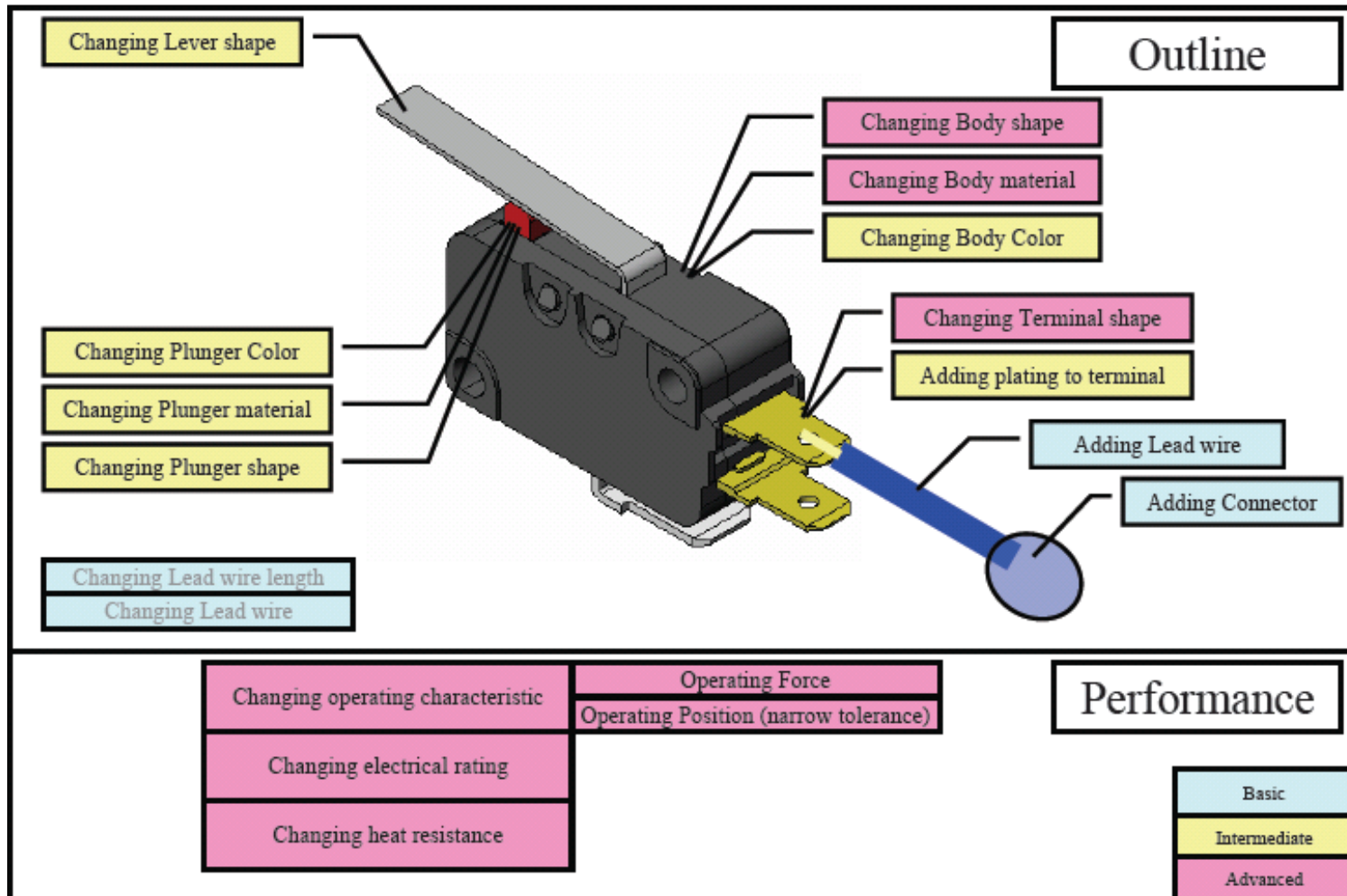


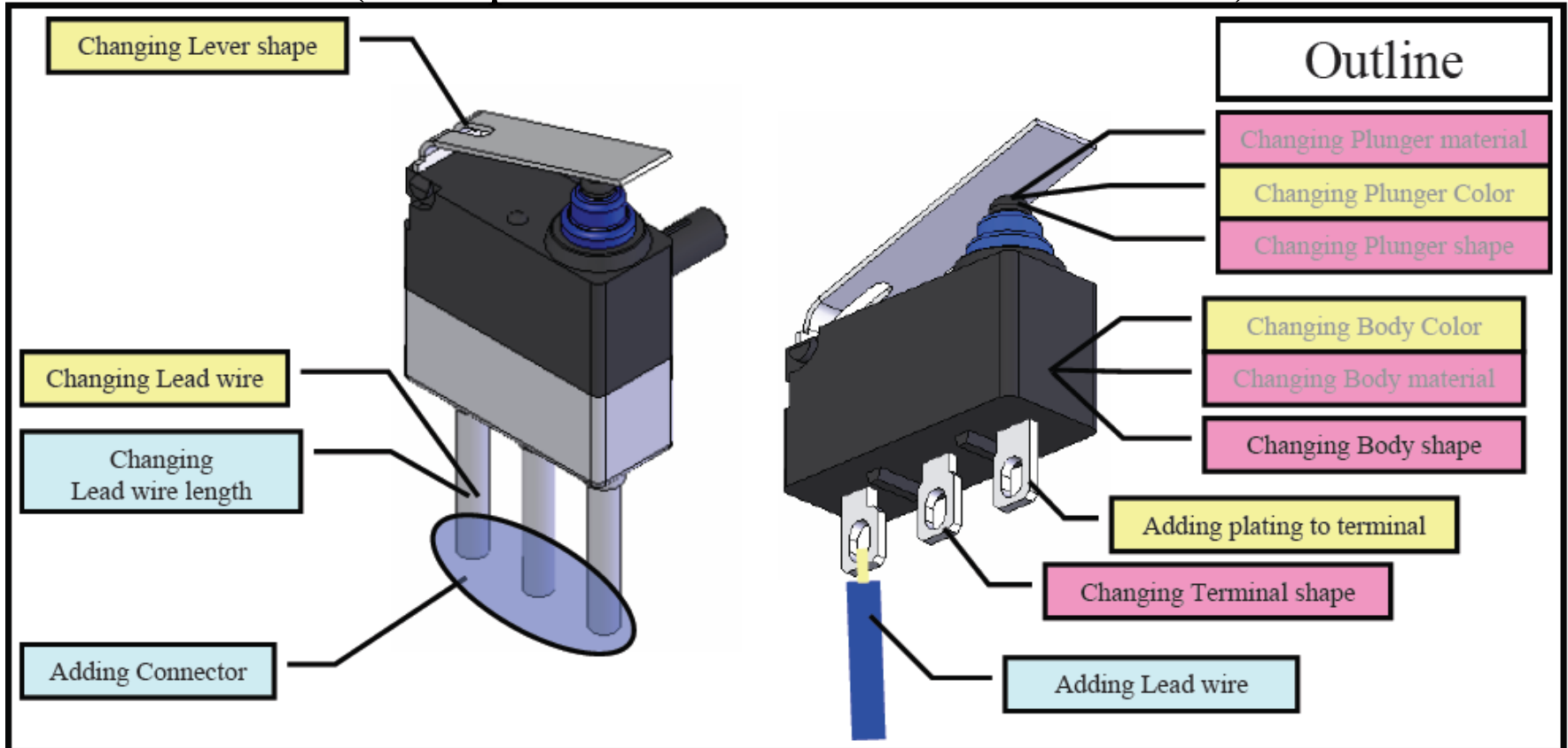
Possible switch customization

(example for unsealed detection switch)



Possible switch customization

(example for unsealed detection switch)



Outline

Changing Plunger material

Changing Plunger Color

Changing Plunger shape

Changing Body Color

Changing Body material

Changing Body shape

Adding plating to terminal

Changing Terminal shape

Adding Lead wire

Changing operating characteristic

Operating Force

Operating Position (narrow tolerance)

Changing electrical rating

Changing heat resistance

Performance

Basic

Intermediate

Advanced

Necessary information for judging a possibility of customization

Necessary information

Customer

Contact Customer:

End Customer:

Application :

Estimated Annual Usage :

Launching schedule

Present Stage:

Start Of Production:

Target Price :

Competitor

Manufacturer :

Part Number :

Customization

Required specification such as drawing :

Safety Standard : need / no need